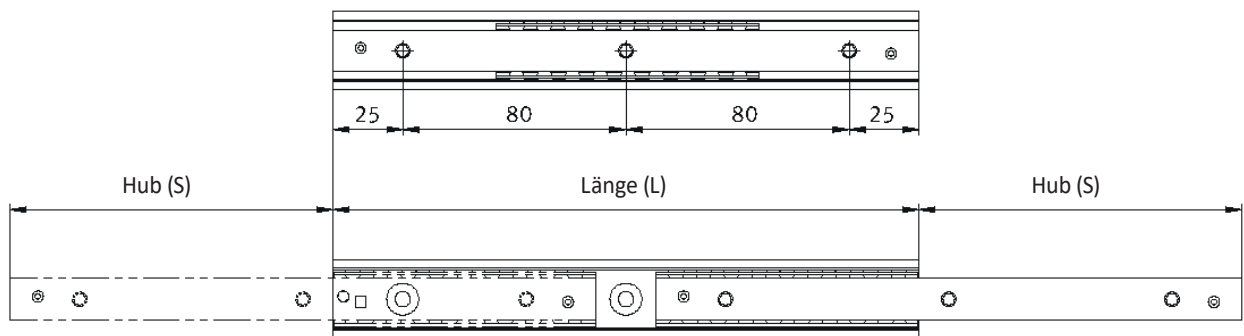
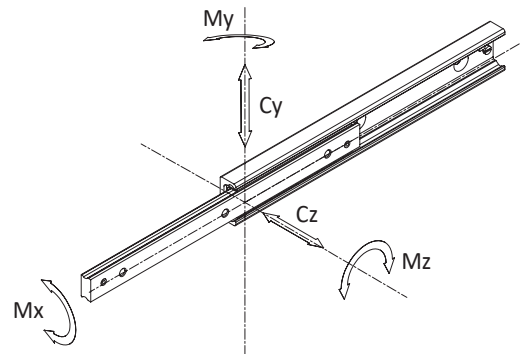
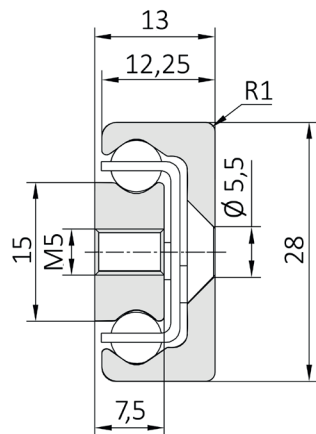
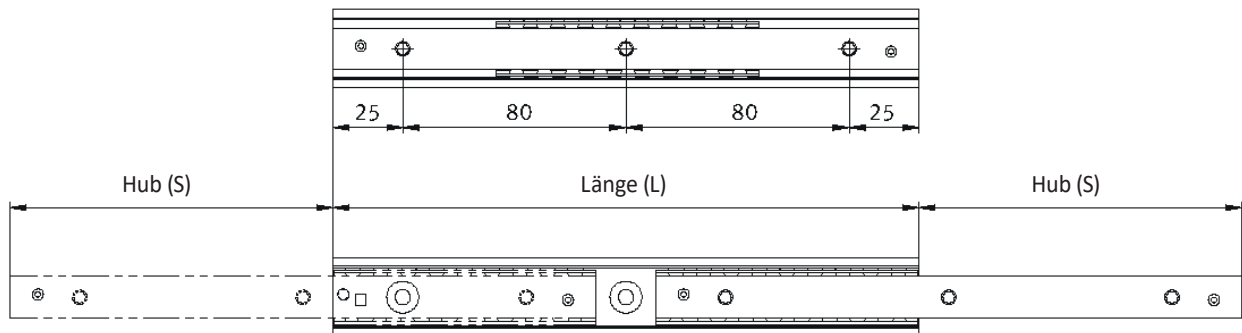
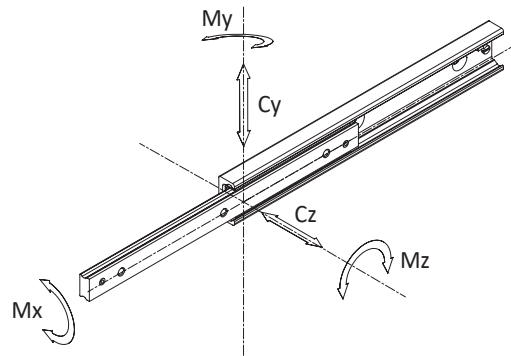
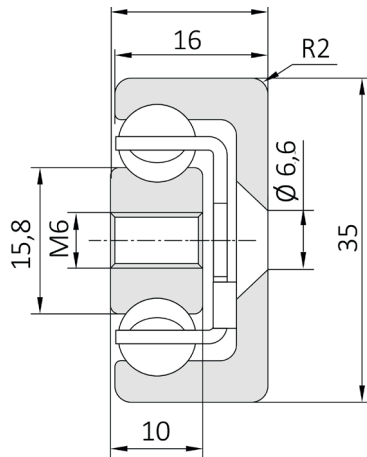


TPE Baugröße 28



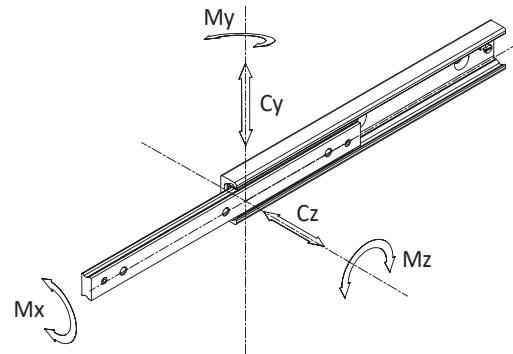
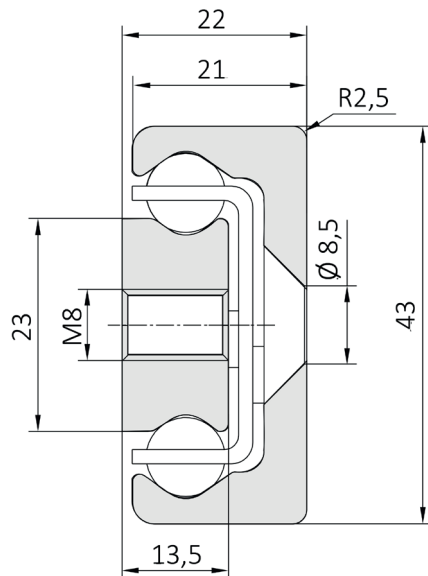
Bestellcode	Länge (L) (mm)	Hub (S) (mm)	Tragzahlen					C ₁₀₀ (N)	Montage- bohrung (St.)
			C _y (N)	C _z (N)	M _x (Nm)	M _y (Nm)	M _z (Nm)		
TPE28									
TPE28-130	130	74	612	430	16	21	29	873	2
TPE28-210	210	116	1.117	782	27	59	83	1.579	3
TPE28-290	290	148	1.935	1.355	40	133	187	2.693	4
TPE28-370	370	190	2.446	1.712	51	214	306	3.403	5
TPE28-450	450	232	2.956	2.070	62	315	450	4.120	6
TPE28-530	530	274	3.467	2.427	73	436	620	4.835	7
TPE28-610	610	316	3.978	2.785	83	577	820	5.558	8
TPE28-690	690	358	4.489	3.142	94	736	1.051	6.273	9
TPE28-770	770	400	4.996	3.499	105	915	1.308	6.985	10
TPE28-850	850	433	5.829	4.082	118	1.166	1.667	8.113	11
TPE28-930	930	475	6.336	4.437	130	1.390	1.985	8.810	12
TPE28-1010	1.010	517	6.849	4.795	140	1.633	2.329	9.526	13
TPE28-1090	1.090	559	7.359	5.150	151	1.894	2.704	10.239	14
TPE28-1170	1.170	601	7.566	5.508	162	2.176	3.109	10.953	15

TPE Baugröße 35

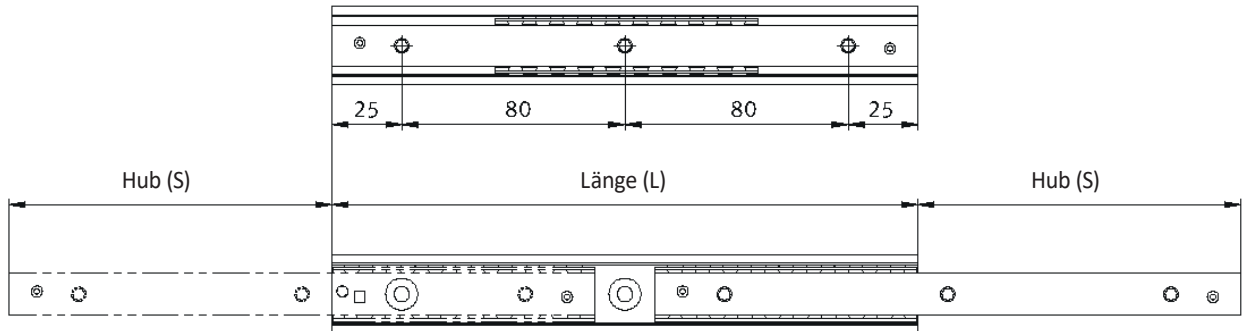


Bestellcode	Länge (L) (mm)	Hub (S) (mm)	Tragzahlen					C ₁₀₀ (N)	Montage- bohrung (St.)
			C _y (N)	C _z (N)	M _x (Nm)	M _y (Nm)	M _z (Nm)		
TPE35									
TPE35-210	210	127	1066	745	29	58	81	1532	3
TPE35-290	290	159	2061	1441	47	147	207	2905	4
TPE35-370	370	203	2639	1846	60	239	339	3720	5
TPE35-450	450	247	3217	2251	73	355	504	4536	6
TPE35-530	530	279	4282	2996	90	544	774	5989	7
TPE35-610	610	323	4859	3400	104	712	1014	6802	8
TPE35-690	690	367	5436	3803	117	903	1287	7611	9
TPE35-770	770	399	6522	4564	134	1192	1701	9092	10
TPE35-850	850	443	7096	4965	147	1436	2049	9902	11
TPE35-930	930	487	7670	5367	160	1703	2430	10713	12
TPE35-1010	1010	519	8766	6135	178	2093	2988	12200	13
TPE35-1090	1090	563	9338	6535	191	2413	3444	13008	14
TPE35-1170	1170	607	9910	6936	204	2755	3933	13817	15
TPE35-1250	1250	639	11013	7707	221	3246	4635	15310	16
TPE35-1330	1330	683	11583	8106	234	3641	5199	16117	17
TPE35-1410	1410	727	12154	8506	247	4059	5796	16924	18
TPE35-1490	1490	759	13261	9281	265	4651	6642	18422	19

TPE Baugröße 43



Bestellcode	Länge (L) (mm)	Hub (S) (mm)	Tragzahlen					C ₁₀₀ (N)	Montage- bohrung (St.)
			C _y (N)	C _z (N)	M _x (Nm)	M _y (Nm)	M _z (Nm)		
TPE43									
TPE43-210	210	123	1.596	1.118	61	85	121	2.288	3
TPE43-290	290	158	2.873	2.012	94	202	289	4.055	4
TPE43-370	370	208	3.378	2.365	116	307	441	4.794	5
TPE43-450	450	243	4.691	3.285	150	510	730	6.602	6
TPE43-530	530	278	6.040	4.228	185	763	1.089	8.451	7
TPE43-610	610	313	7.412	5.189	216	1.065	1.520	10.325	8
TPE43-690	690	363	7.865	5.506	238	1.295	1.850	11.007	9
TPE43-770	770	398	9.233	6.465	273	1.682	2.403	12.879	10
TPE43-850	850	433	10.617	7.430	305	2.120	3.029	14.763	11
TPE43-930	930	483	11.056	7.740	328	2.440	3.485	15.430	12
TPE43-1010	1.010	518	12.435	8.705	360	2.962	4.231	17.311	13
TPE43-1090	1.090	568	12.878	9.015	383	3.336	4.767	17.981	14
TPE43-1170	1.170	603	14.256	9.980	416	3.945	5.635	19.861	15
TPE43-1250	1.250	638	15.640	10.948	450	4.597	6.572	21.749	16
TPE43-1330	1.330	688	16.076	11.255	471	5.066	7.238	22.412	17
TPE43-1410	1.410	723	17.458	12.220	504	5.806	8.296	24.298	18
TPE43-1490	1.490	758	18.848	13.192	538	6.599	9.426	26.187	19
TPE43-1570	1.570	793	20.240	14.168	571	7.442	10.630	28.085	20
TPE43-1650	1.650	843	20.663	14.465	593	8.031	11.473	28.735	21
TPE43-1730	1.730	878	22.055	15.438	626	8.958	12.796	30.628	22
TPE43-1810	1.810	928	22.480	15.738	648	9.604	13.718	31.280	23
TPE43-1890	1.890	963	23.865	16.709	682	10.615	15.163	33.170	24
TPE43-1970	1.970	1.013	24.230	17.010	705	11.315	16.162	33.827	25



WUXI SAIBO INDUSTRY CO LIMITED

6-701 XIHU EAST ROAD, WUXI 214011, CHINA

Tel.: +86-510-8230 0095

Fax: +86-510-8230 0096

www.saibo-bearing.com

info@saibo-bearing.com